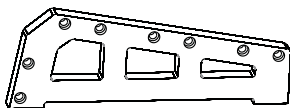




魔桥说明书
Pedal bridge Assembly Guide
(603)

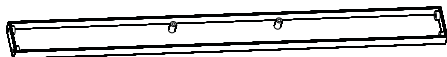
所有组件如下:
Components

Bridge



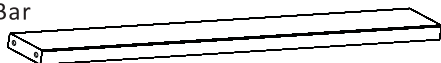
X2

Bar with rivet



X2

Bar



X1

Front Bar



X1

Allen Screw



X17

Velcro (50cm)



X1

Allen key



X1

电源支架

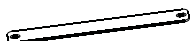
Power Bracket(Optional)

(选配件)



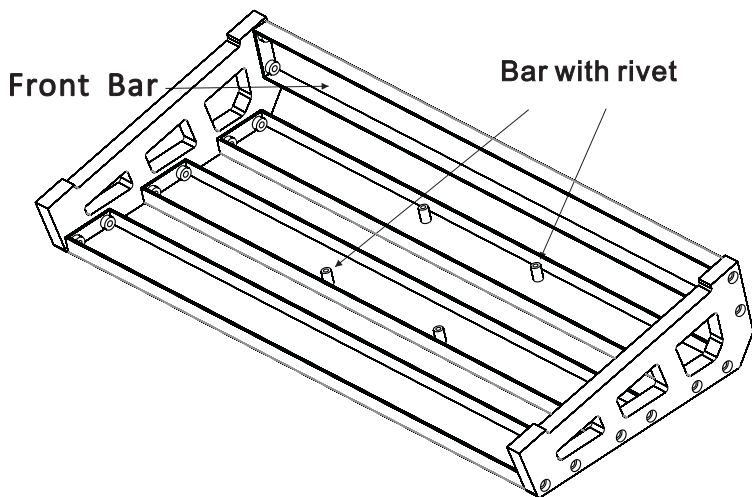
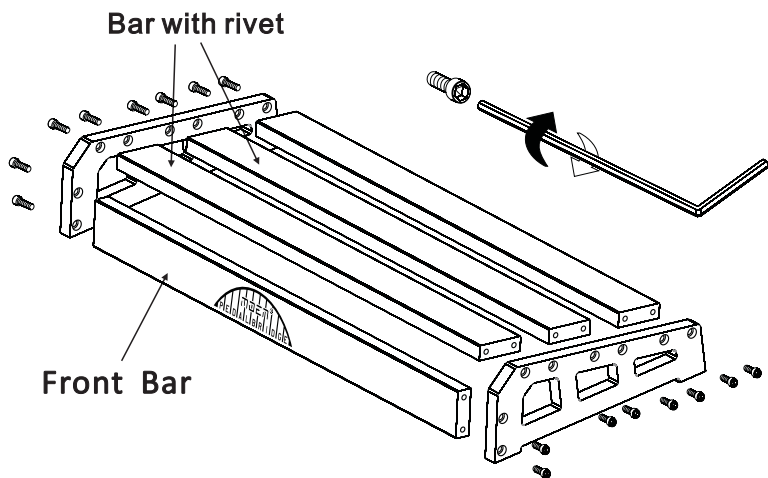
X2

 **X6**

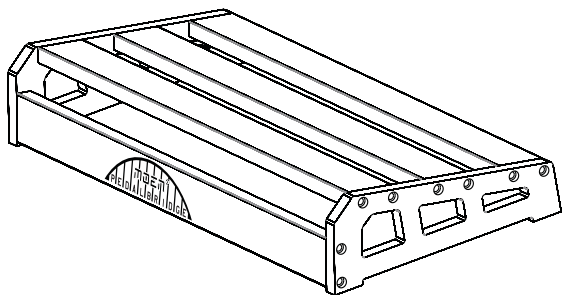


X1

组装方法如图:
Assembly Diagram



成品图:
Finish Product



Weight : 1.3kg

Frame Dim. : 59.5Lx23Wx8.5Hcm

电源支架装配图:
Power Bracket Diagram

